



OWS-LIOL-A/B

Low Intensity Obstruction Light Red

Obstacle light for night time marking of structures that present a hazard to aviation. Red steady burning in night mode.

Incorporates the benefits of advanced LED, optical and system control technologies to meet the most demanding applications.

Key Features

- Two years warranty
- Smallest light fixture in the industry
- Offshore product design experience
- Compact and Lightweight
- Easy to install
- 100.000 hours design life
- No maintenance required over service life
- Low power consumption
- Long life power supply to match LED life
- Made in The Netherlands

Performance characteristics

- Horizontal beam pattern: 360°
- Effective intensity: 10cd / 32cd
- Vertical beam pattern: 8° FWHM



Electrical characteristics

- Operating voltage: 12Vdc – 230VAC
- Power consumption: 1Watt

Physical characteristics

- Dimensions: L x W x H: 70x70x69 mm
- Mounting position: see drawing, page 3
- Mounting: 2x Ø10mm (M8)
- Weight: 0.5 kg
- Design degree of protection: IP66
- Operating temperature range: -25 °C/+60 °C
- Supplied with pre-mounted cables for easy installation and high reliability ready for use (1.5meter)
- Cable bending radius static: 7x cable diameter
- Outer cable diameter: Ø8+/- 0.5 mm

System design, control and monitoring

- Use as a stand-alone light, or in a multiple light system with an OWS Control system (OWS-CTRLxx)



Offshore Warning Systems B.V.

Waldammeweg 7D, 4338 PM, Middelburg, The Netherlands.

KVK: 86564234 | VAT: NL864007577B01

www.offshorewarningsystems.com | tel: +31 6 53316982 | mail: info@owsbv.com

V1.0



Order codes

Configuration table

ORDER CODE	LIGHT PERFORMANCE		
	DAY	TWILIGHT	NIGHT
OWS-LIOL-A	OFF	OFF	10cd steady Red
OWS-LIOL-B	OFF	OFF	32cd steady Red



Offshore Warning Systems B.V.

Waldammeweg 7D, 4338 PM, Middelburg, The Netherlands.

KVK: 86564234 | VAT: NL864007577B01

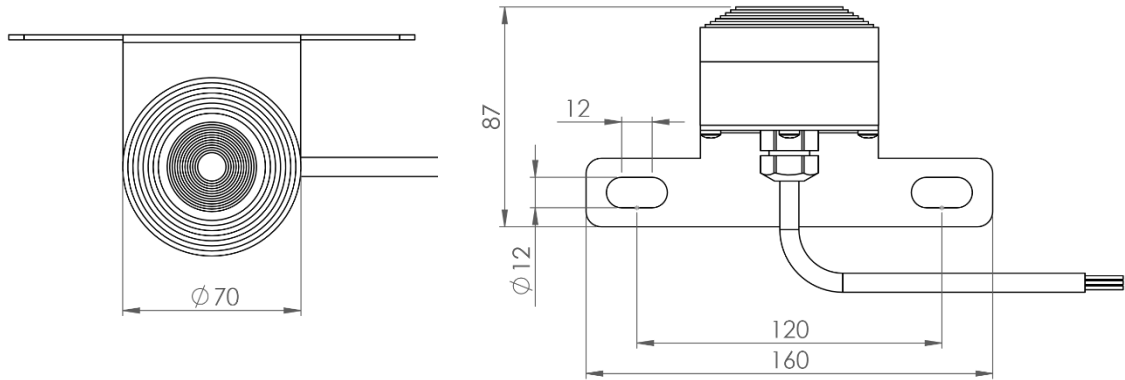
www.offshorewarningsystems.com | tel: +31 6 53316982 | mail: info@owsbv.com

V1.0



DRAWING

General dimensions



Offshore Warning Systems B.V.

Waldammeweg 7D, 4338 PM, Middelburg, The Netherlands.

KVK: 86564234 | VAT: NL864007577B01

www.offshorewarningsystems.com | tel: +31 6 53316982 | mail: info@owsbv.com

V1.0