



## OWS-NM10 – BEACON

### 10 Nautical Mile Beacon

omnidirectional visual coverage for offshore and port structures. The optical design of the OWS-NM10 is made to ensure long-life durability of the product.

The OWS-NM10 has to be connected to the OWS-NM10 Controller that can facilitate a maximum of 4 Nautical Beacon lights.

#### Key Features

- Two years warranty
- Small, efficient light fixture
- Offshore product design experience
- Compact and Lightweight
- Easy to install
- 100.000 hours design life
- No maintenance required over service life
- Automotive industry standard optical design
- Low power consumption
- Long life power supply to match LED life
- Made in The Netherlands

#### Performance characteristics

- Horizontal beam pattern: 360°
- Flashing: Morse "U" every 15 seconds
- Effective intensity: 10 Nautical Mile
- Vertical beam pattern: 3° FWHM



#### Electrical characteristics

- Operating voltage: 48Vdc
- Power consumption: 22Watt

#### Physical characteristics

- Dimensions: L x W x H: 365x365x111 mm
- Mounting position: see drawing, page 3
- Mounting: 4x Ø16
- Weight: 7,4 kg
- Design degree of protection: IP66
- Operating temperature range: -25 °C/+60 °C
- Supplied with pre-mounted cables for easy installation and high reliability ready for use (15meter)
- Cable bending radius static: 7x cable diameter
- Outer cable diameter: Ø12.5 +/- 0.5 mm

#### System design, control and monitoring

- Use this light in a system with a maximum of 4 lights in 1 system.
- Control article code: OWS-NM10C



#### Offshore Warning Systems B.V.

Elektraweg 1, 4338 PK, Middelburg, The Netherlands.

KVK: 86564234 | VAT: NL864007577B01

<https://www.offshorewarningsystems.net/>

V1.0



## Order codes

### Configuration table

ORDER CODE	LIGHT PERFORMANCE
OWS-NM10	WHITE LED 1400cd minimum (equals 10NM at ATF=0.74)



#### Offshore Warning Systems B.V.

Elektraweg 1, 4338 PK, Middelburg, The Netherlands.

KVK: 86564234 | VAT: NL864007577B01

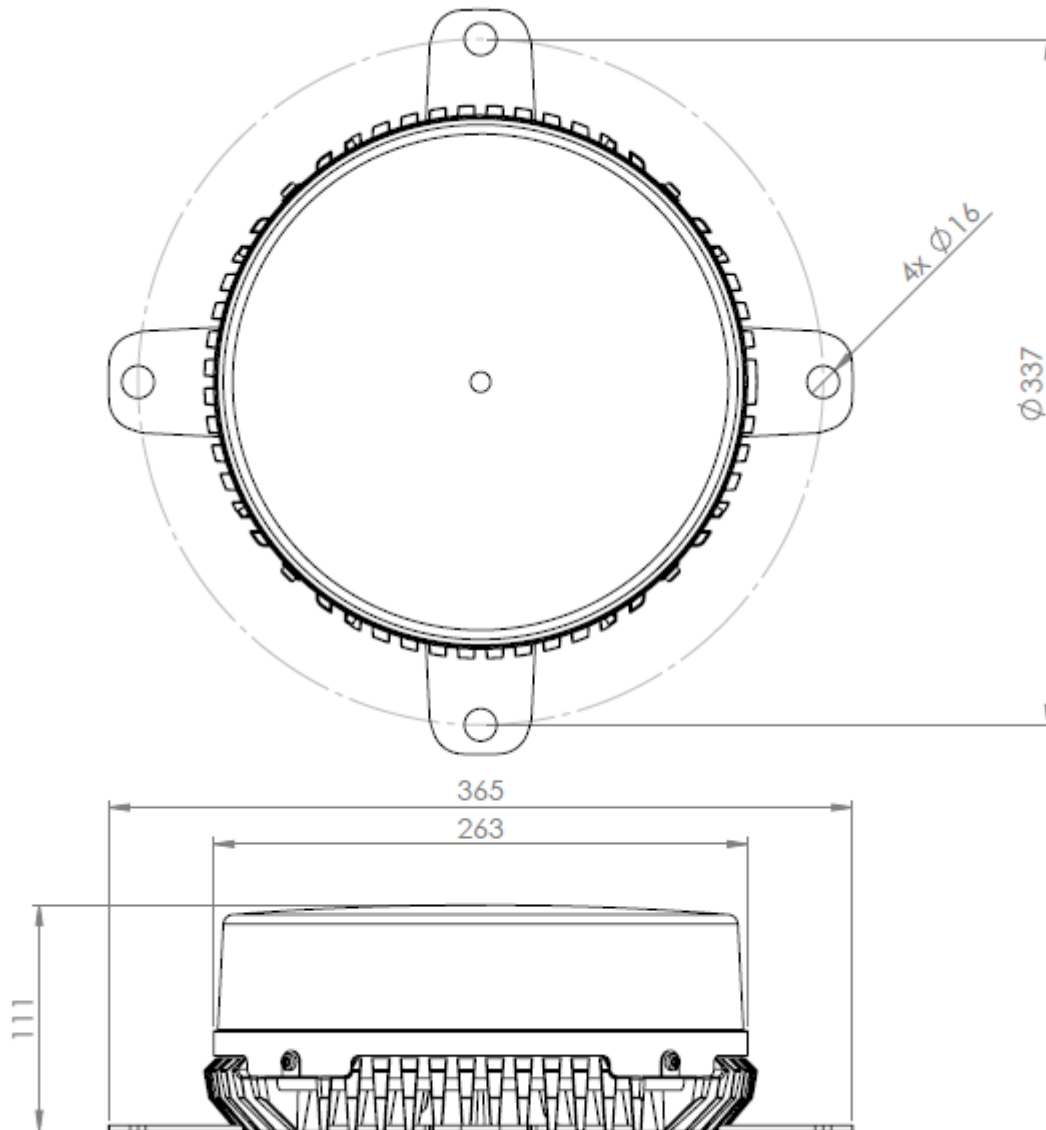
<https://www.offshorewarningsystems.net/>

V1.0



## DRAWING

### General dimensions



**Offshore Warning Systems B.V.**

Elektraweg 1, 4338 PK, Middelburg, The Netherlands.

KVK: 86564234 | VAT: NL864007577B01

<https://www.offshorewarningsystems.net/>

V1.0